

Technical Specification - GreaseShield®1850 AST



**AUTOMATED
SOLIDS TRANSFER
FOR SOLID WASTE
SEPARATION**



Aqua Mundus

APPLICATIONS

- Hood Type Dishwashers
- Under Counter Dishwashers

FLOW RATES & CERTIFICATION

- Pro-Active Flow Rate - 1.85 L/sec
- ASME Certification
- PDI Certification
- CSA Certification
- EN 1825 Certification

STANDARD FEATURES & FUNCTIONS

- Automatic FOG & solids removal
- Self cleaning
- Magnetic baffle for bioremediation
- PLC controlled
- Reverse flow configuration
- Grey water Recirculation
- Space Saver Running Trap & Sampling Point
- Globally certified award winning technology
- The only Green Certified grease trap in the world

Plumbing Connections

Inlet	1" ½/40mm
Invert Inlet	1" ¼/32mm
Outlet	2"/54mm
Decant Outlet	¾"/18mm
Hot Water Solenoid	¾"/22mm

Electrical Ratings

	USA	UK,EU,AU,NZ
Voltage	120v	230v
Frequency	60Hz	50Hz
Current	0.98A	0.49A

Standard Operational Times

Days of Operation	7 Days a Week
Hours of Operation	07:00-02:30

Note: Operational times should be adjusted to suit the needs of the kitchen

Average Power Consumption

47.6W Per Hour

CERTIFICATIONS & APPROVALS

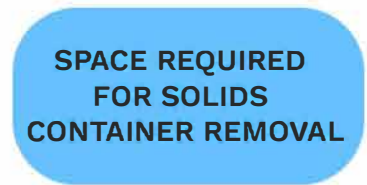
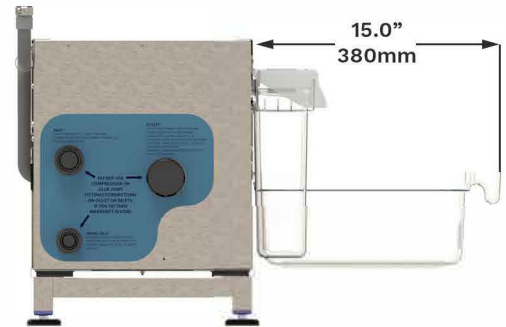
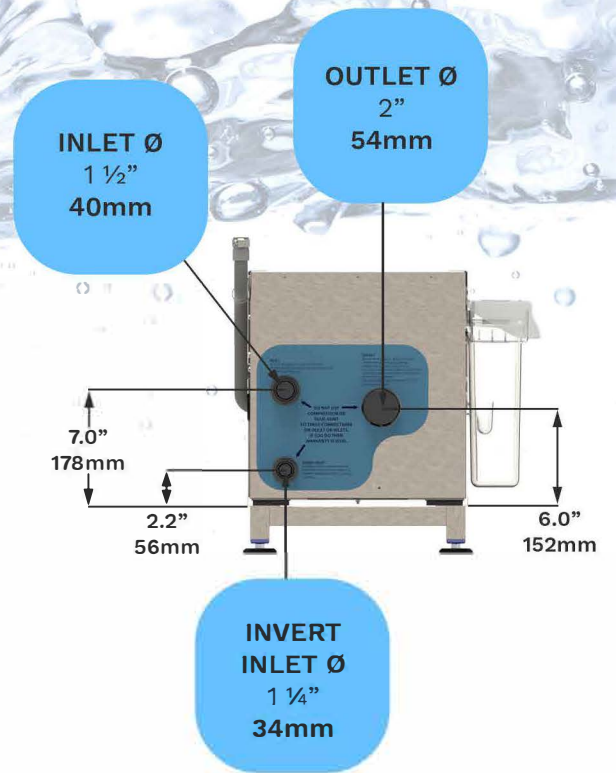
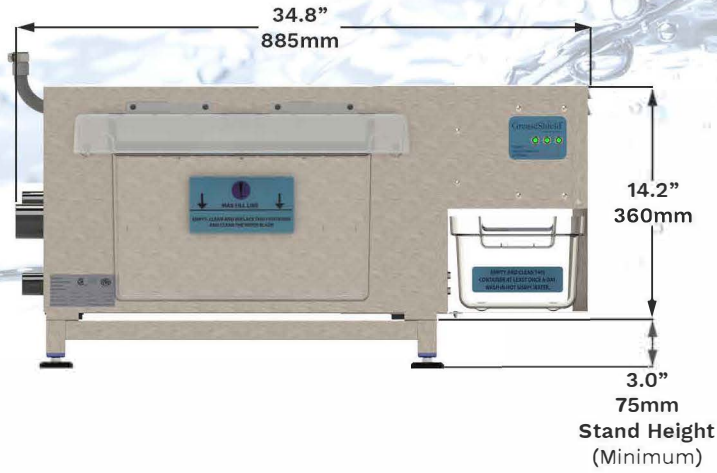
- Global GreenTag LCA Rate Gold Certification
- PDI G101 (Plumbing & Drainage Institute)
- ASME A112.14.3 & A112.14.4 (American Society of Mechanical Engineers)
- NSF International (National Sanitation Foundation)
- CSA (Canadian Standards Association) - Grease Interceptors
- UL (Underwriters Laboratory)
- IAPMO (International Association of Plumbing and Mechanical Officials) Uniform Plumbing Code Certification Mark
- CE - Conformity with Health, Safety and Environmental Protection \ Standards with the European Economic Area (EEA)
- EN1825 (European Standard for Grease Separators)
- KIWA (ETA DK, Swedac & SINTEF) - Sweden, Norway and Finland. European Institution for Testing, Inspection and Certification

V5 05/06/2019

Technical Specification - GreaseShield®1850 AST



Aqua Mundus



V5 05/06/2019